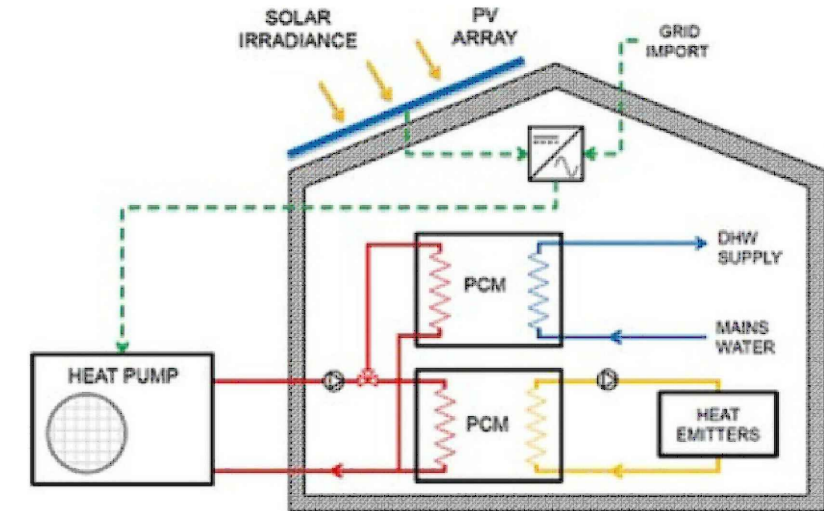
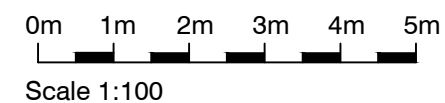
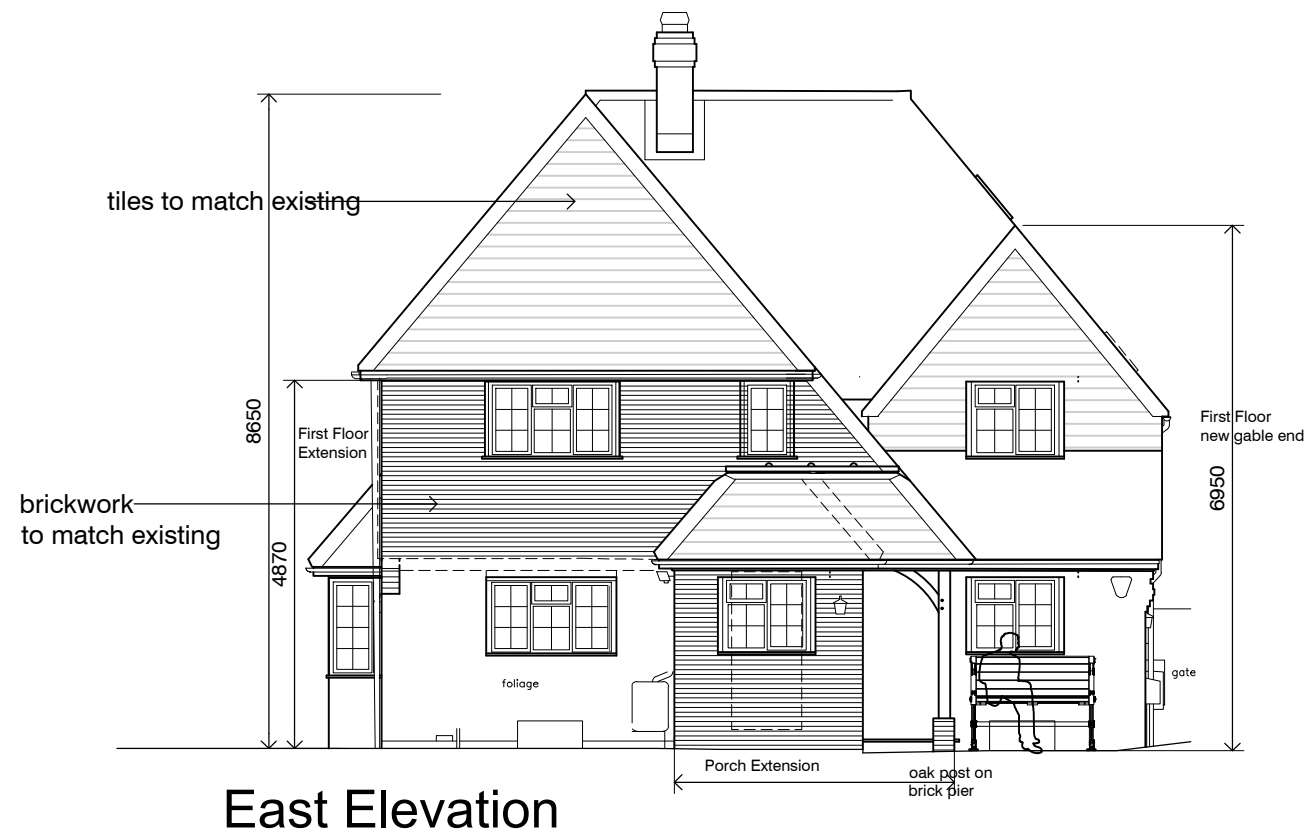


In tile PV solar panels on south face of roof



Air Source Heat Pump/ Solar diagram



Project.	Lyndhurst Jordans Lane Jordans Bucks		
Drawing Title.	Proposed Elevations East & South		
Issue.	JVL Advice/Approval		
Scale.	1:100@ A3		
Date.	September 2024		
Job No.	Drwg No.	14	Rev.

Jason Holt Design
jason@jasonholtdesign.co.uk

This drawing has been prepared for planning application purposes only.
 Not to be used for any on site construction.
 All dimensions to be checked and confirmed on site